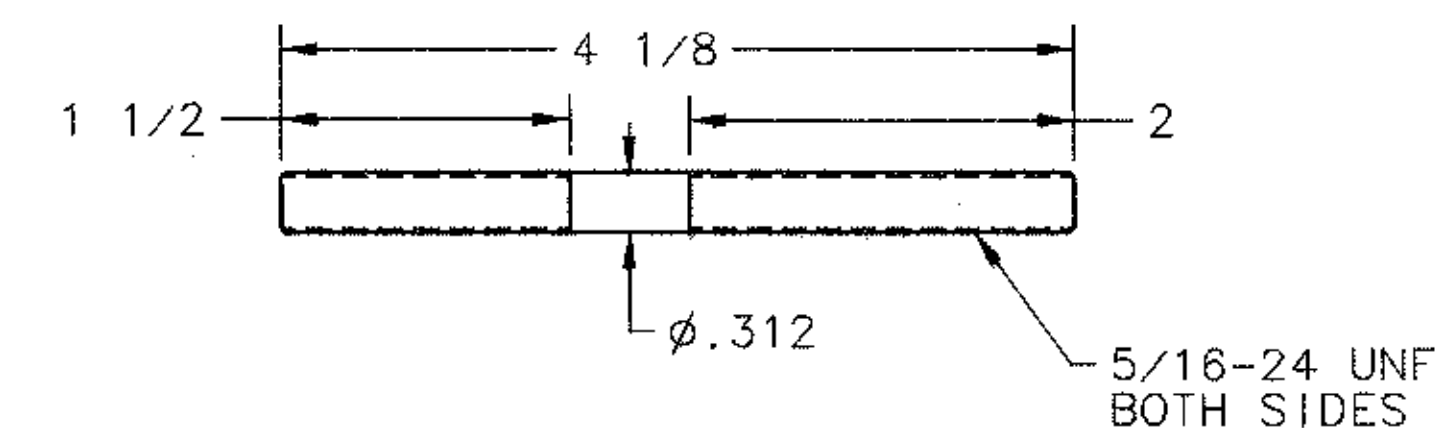
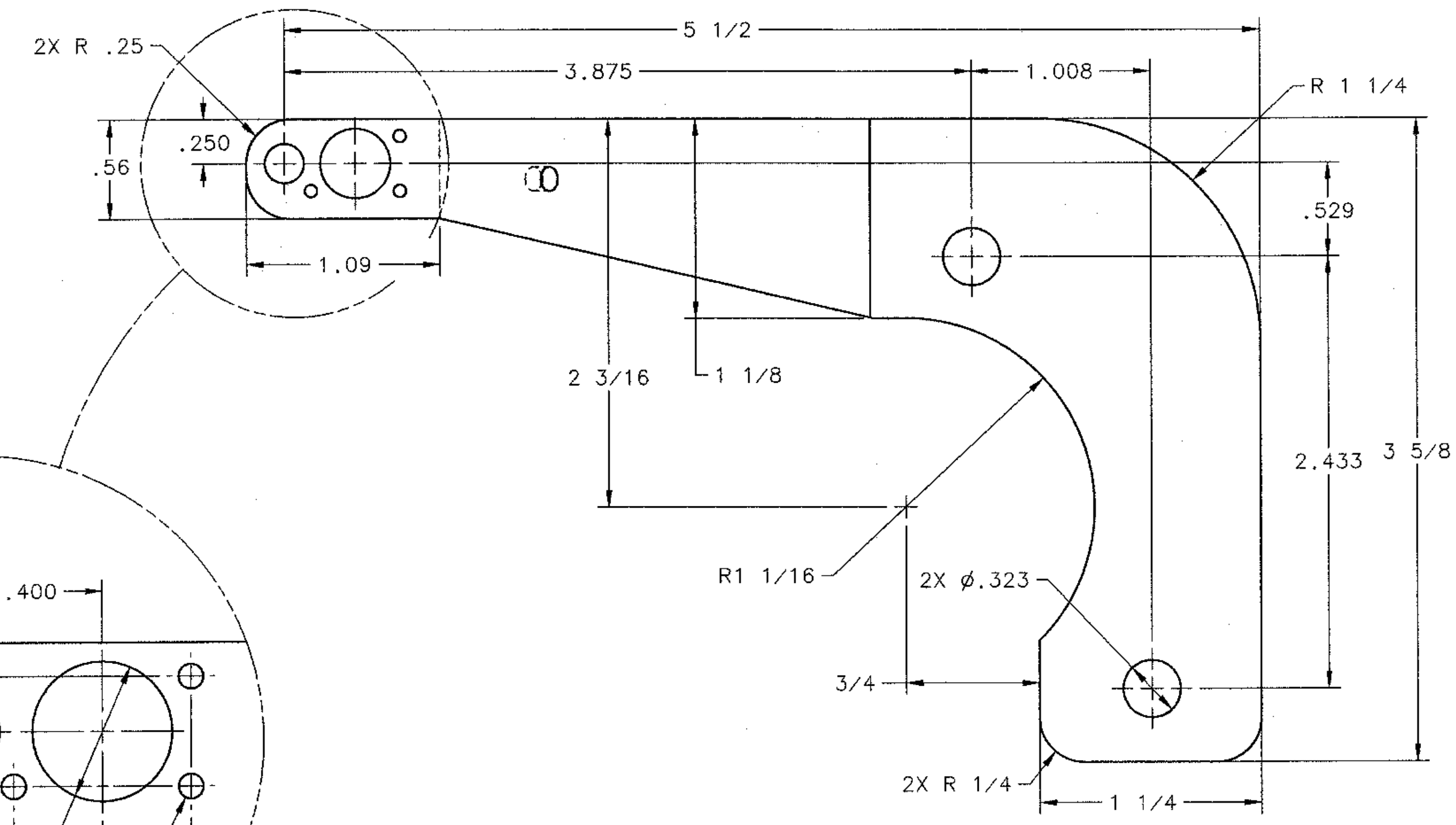
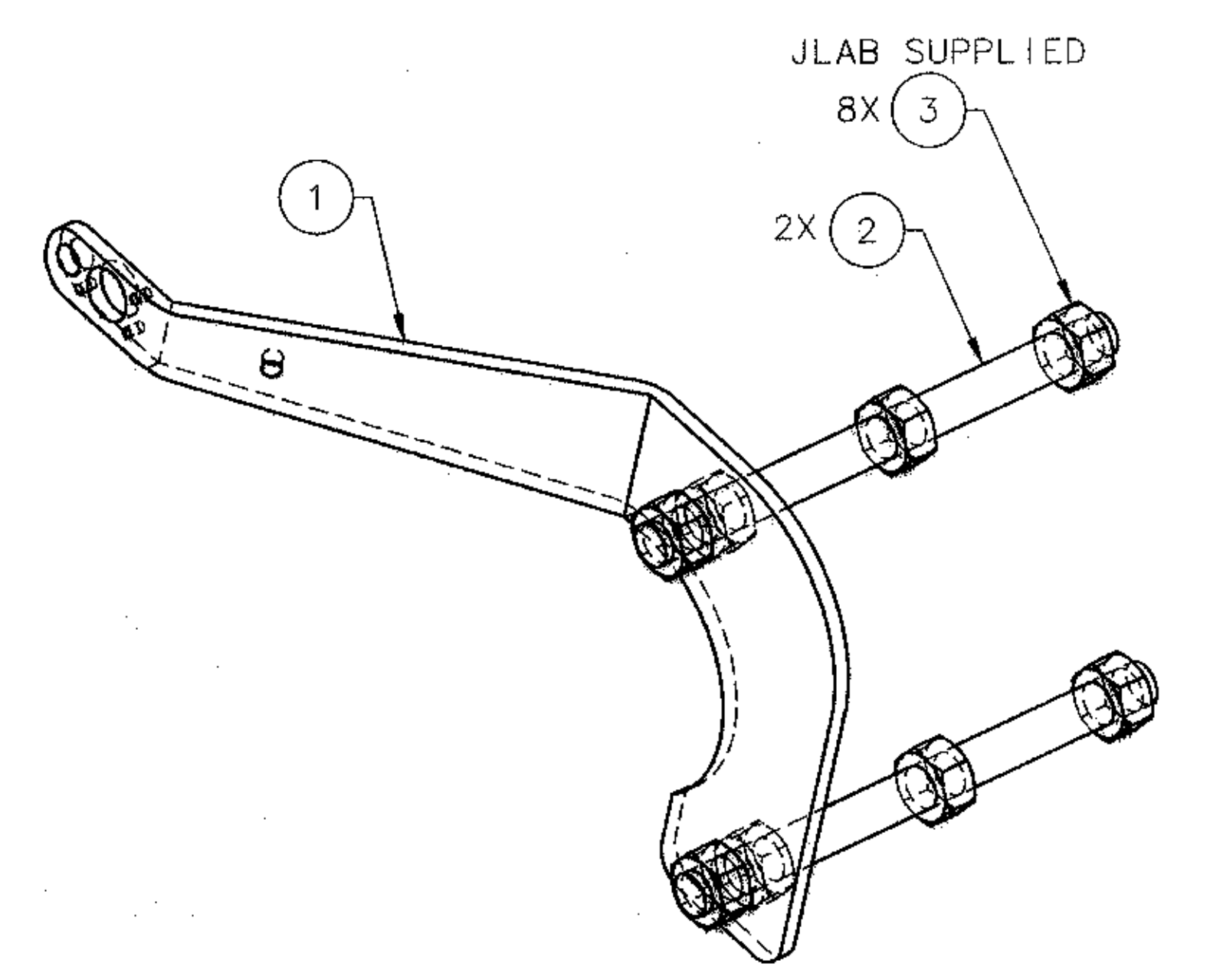
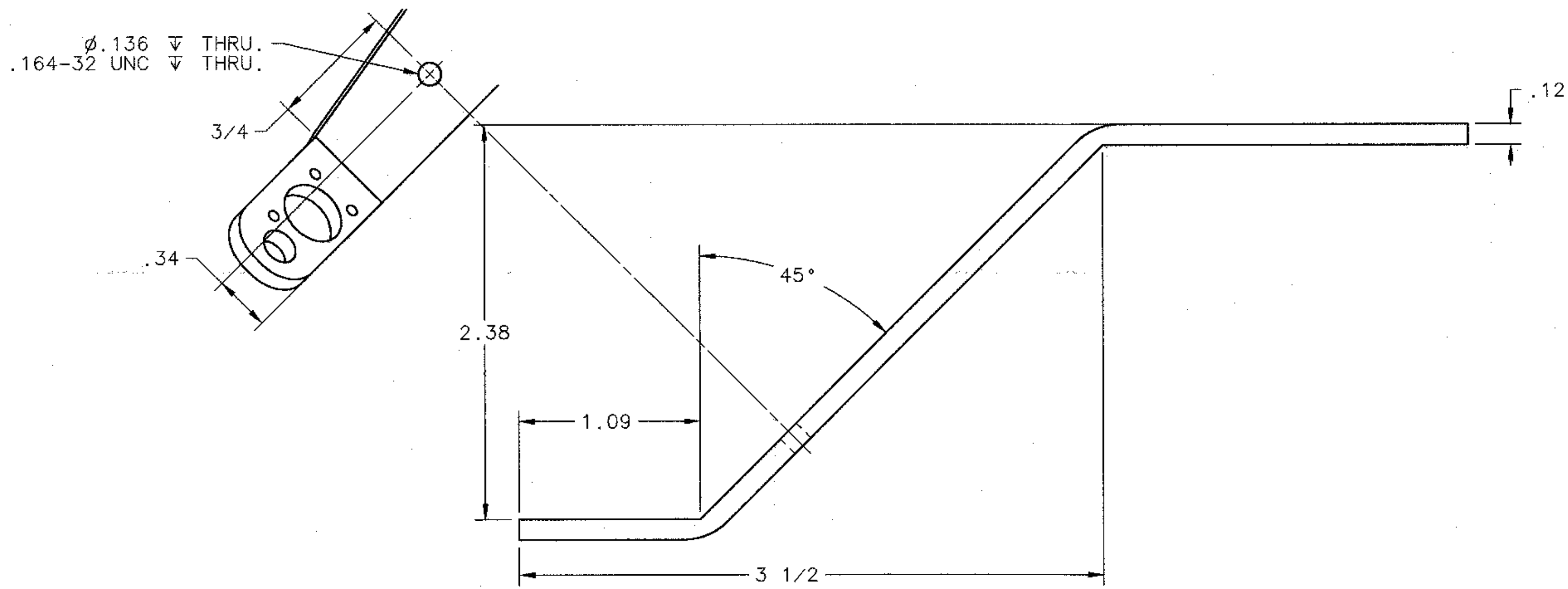
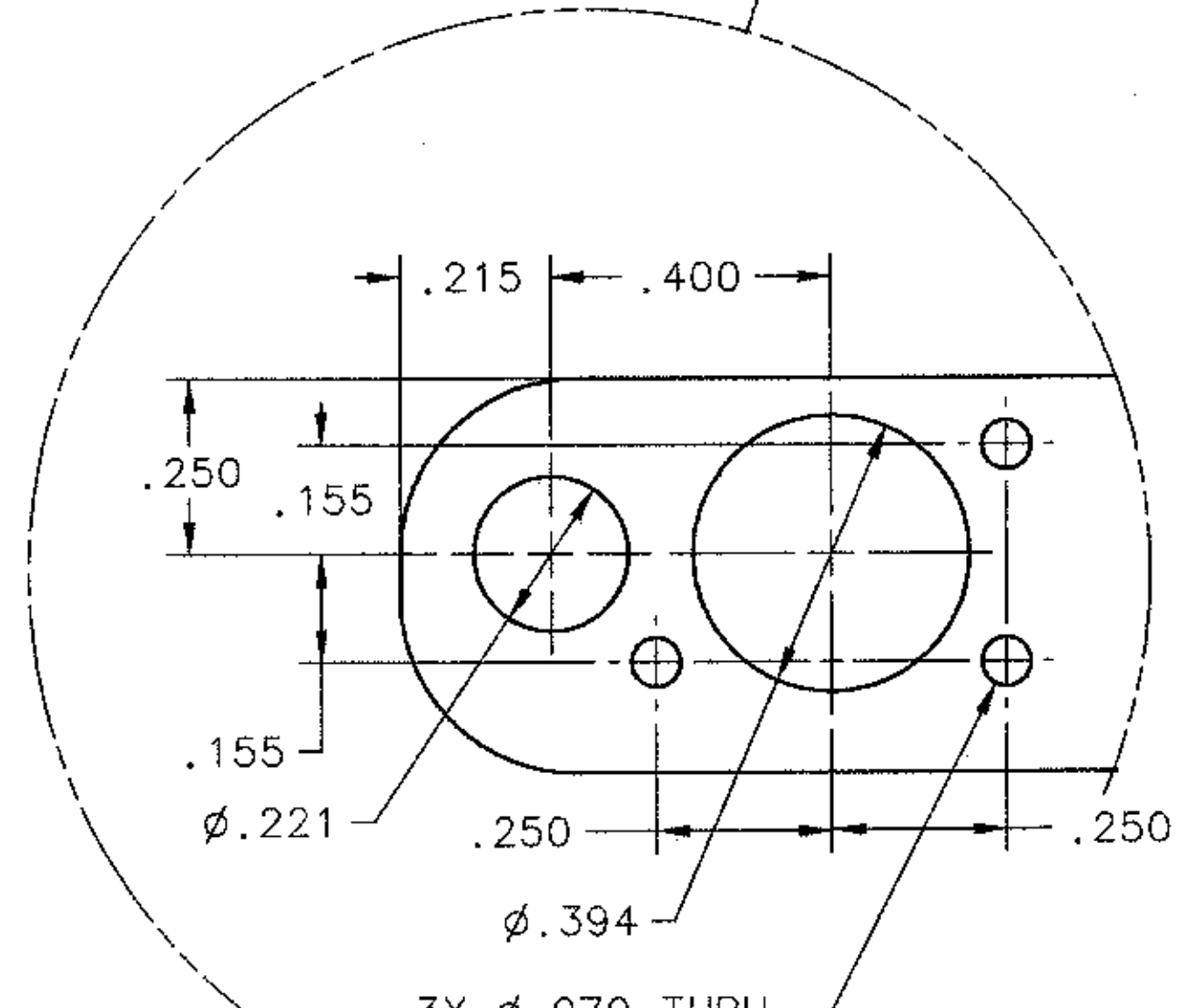


REVISION HISTORY				
ZONE	REV	DESCRIPTION	DATE	APPROVED



-02 THREADED ROD
SCALE: 1/1



DETAIL VIEW
SCALE 4/1

-01 DUMMY HOLDER
SCALE: 2/1

NOTE
1: ALL HOLES TO BE INSTALLED AFTER BENDING AND MACHINING.

QTY	ITEM NO.	PART OR IDENTIFYING NO.	NOMENCLATURE OR DESCRIPTION	MATERIAL SPECIFICATION	NOTES
8	3	67228-00011-03	HEX NUT 5/16-24 (JLAB SUPPLIED)	C101 COPPER	-
2	2	67228-00011-02	THREADED ROD	C101 COPPER	-
1	1	67228-00011-01	DUMMY HOLDER	6061-T6 ALUMINUM	-

APPROVALS	DATE	DOCUMENT CONTROL STAMP	DIM & TOL PER ASME Y14.5 - UNLESS OTHERWISE SPECIFIED DIMENSIONS ARE IN INCHES. FRACTIONS DECIMAL ANGLES ± 1/16 .X ± .1 ± .50° .XX ± .01 .XXX ± .005	TRACKING NO. N/A	APPROVALS	DATE	 Thomas Jefferson National Accelerator Facility SOUTH FORD, VIRGINIA UNITED STATES DEPARTMENT OF ENERGY HALL C ZERO BACK ANGLE TARGET ASSEMBLY DUMMY HOLDER ASSEMBLY
		MATERIAL NOTED	THIRD ANGLE PROJECTION	DRAWN METZGER	5/31/05		
		FINISH MACHINED SURFACES 125 UNLESS OTHERWISE NOTED DEBURR & BREAK ALL SHARP EDGES		CHECKED <i>Fred Metzger</i>	5/31/05		
		DO NOT SCALE DRAWING		APPROVED <i>Fred Metzger</i>	5/31/05		
				SCALE NOTED	DWG. NO. 67228-D-00011	REV. -	SHEET 1 OF 1 USED ON ASST. NO. 67228-E-00002