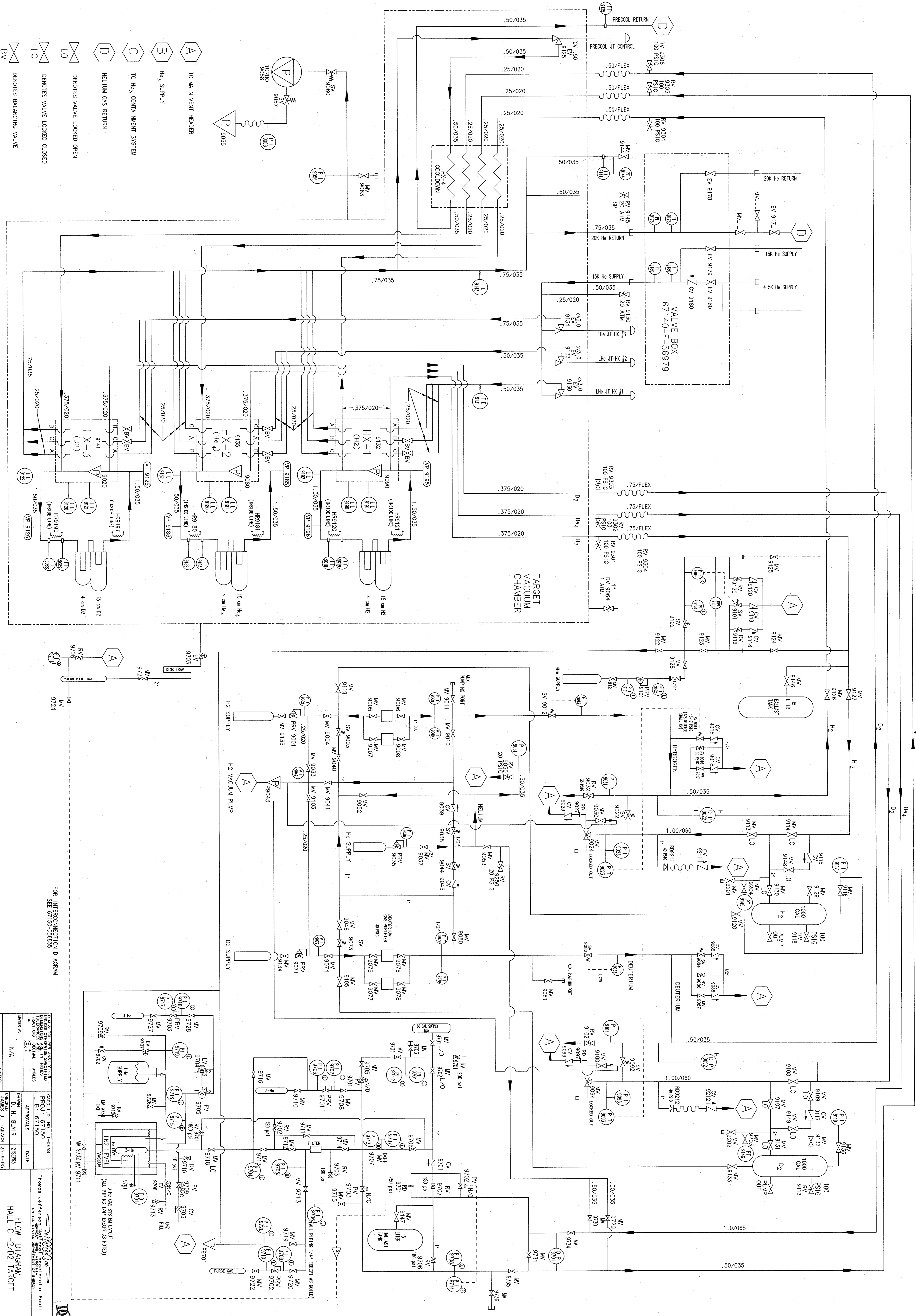


TARGET FLOW DIAGRAM JULY 2000



REV	DATE	APPROVED	DESCRIPTION
H	03/01/00	DLH	REVISED TO REFLECT JULY MODIFICATIONS.
I	11/01/00	WJW	REWORK IN IDEAS.

FOR INTERCONNECTION DIAGRAM
SEE 67150-056853

DATE: 07/20/00	SCALE: 1:1	SHEET: 1 OF 1
DESIGNER: J. TAAOS	CHECKER: J. TAAOS	DATE: 07/20/00
PROJECT: 67150-E-56825	TITLE: FLOW DIAGRAM	LOCATION: HALL-C-H2/D2 TARGET



THOMAS JEFFERSON NATIONAL ACCELERATOR FACILITY